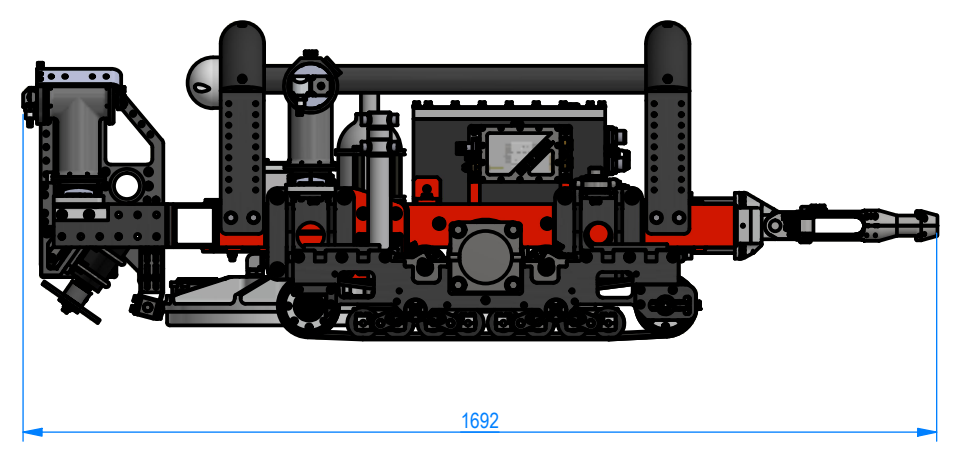
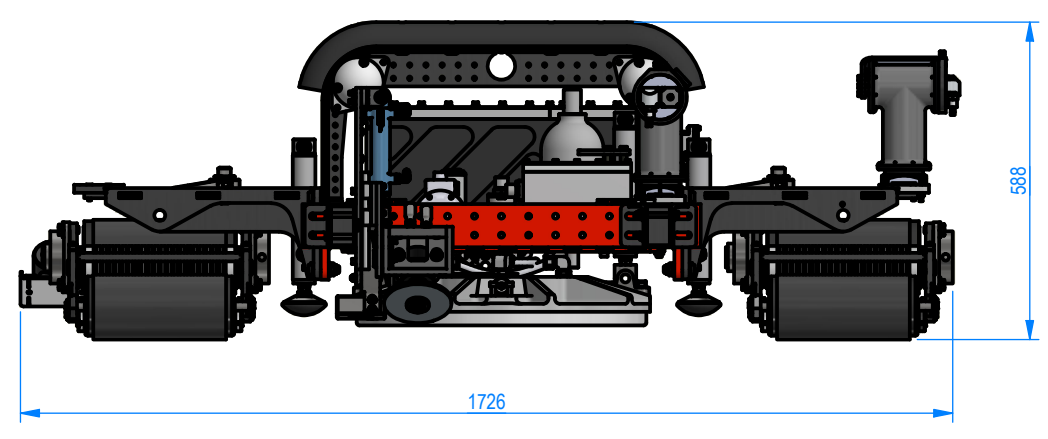
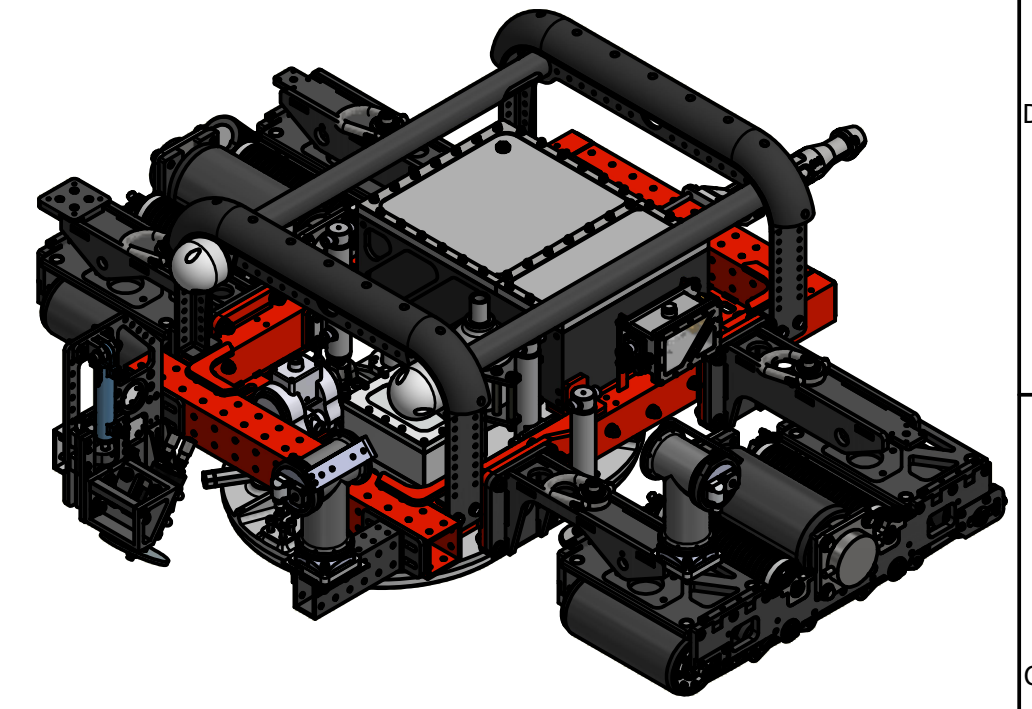
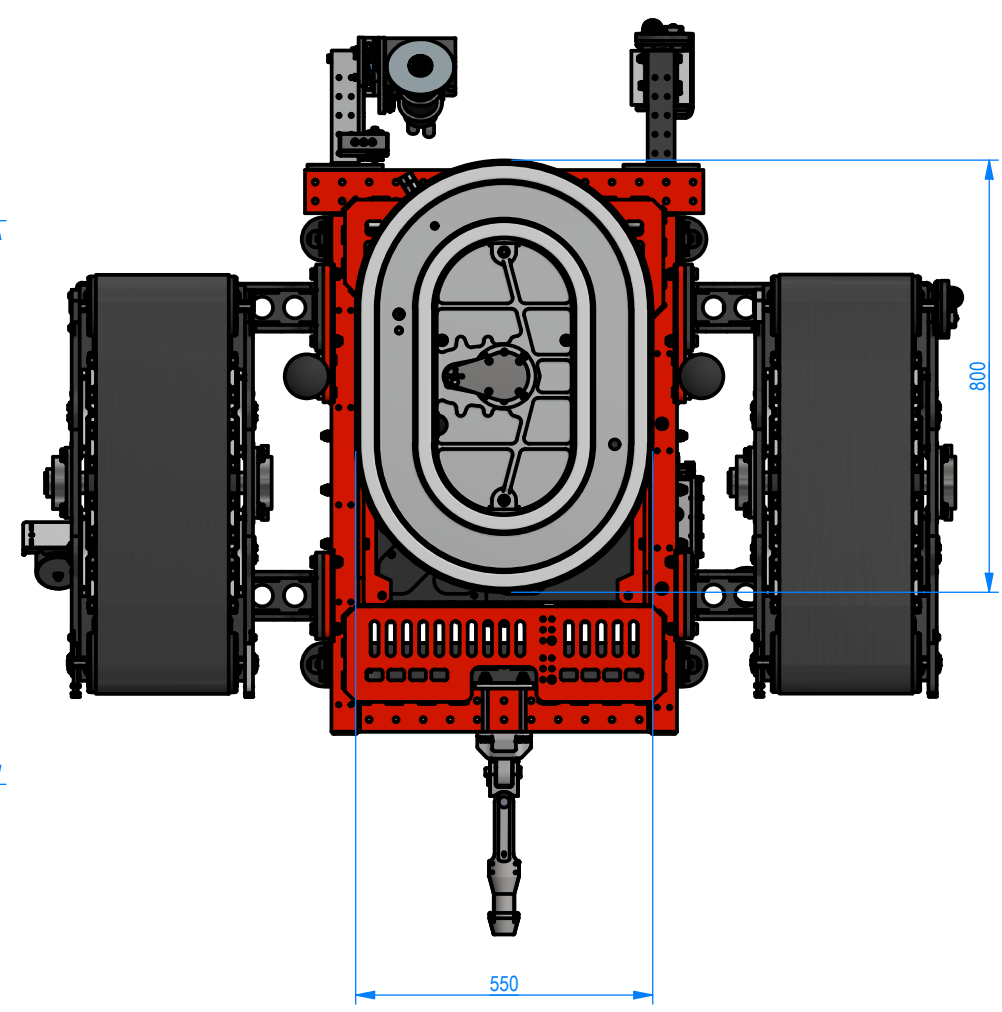
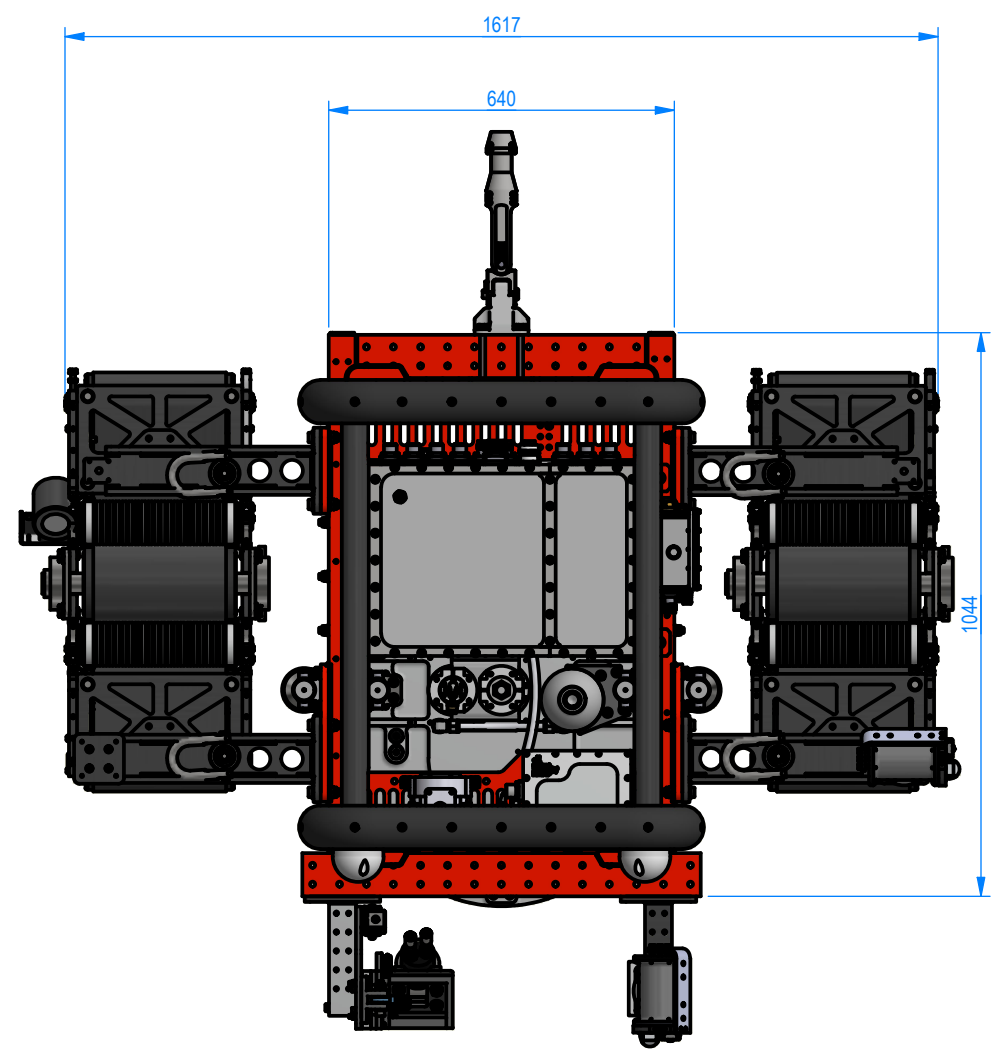


Gen. Tolerance NS-ISO 2768 U.O.S.:	Gen. Welding Tolerance NS-EN ISO 13920 U.O.S.:	Gen. Machined Surface Roughness U.O.S.:
---------------------------------------	---	--

VIEW A



remotion		Client
Projection		This drawing must not be copied or the contents thereof imparted to a third party without Remotion AS' s written permission.
System	Hercules	
Project	Hercules	
Description	Hercules with Cleaning Tool & 800x550mm Habitat	
Material	Weight	360kg
Client Drawing No.	Project No.	
Remotion Drawing No. 114787 Hercules	Sheet 1 / 1	Rev. 01