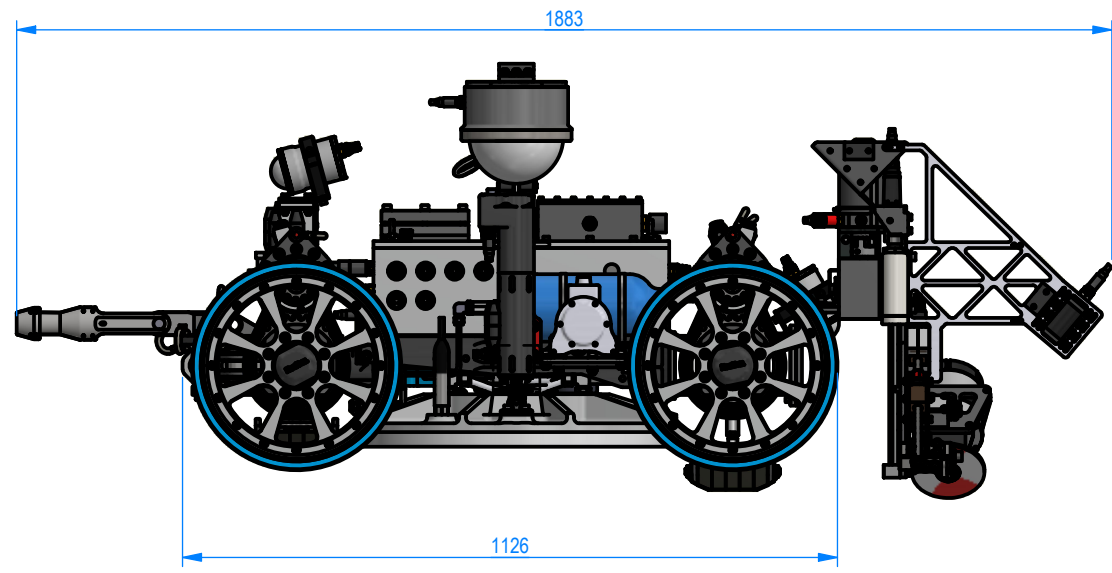
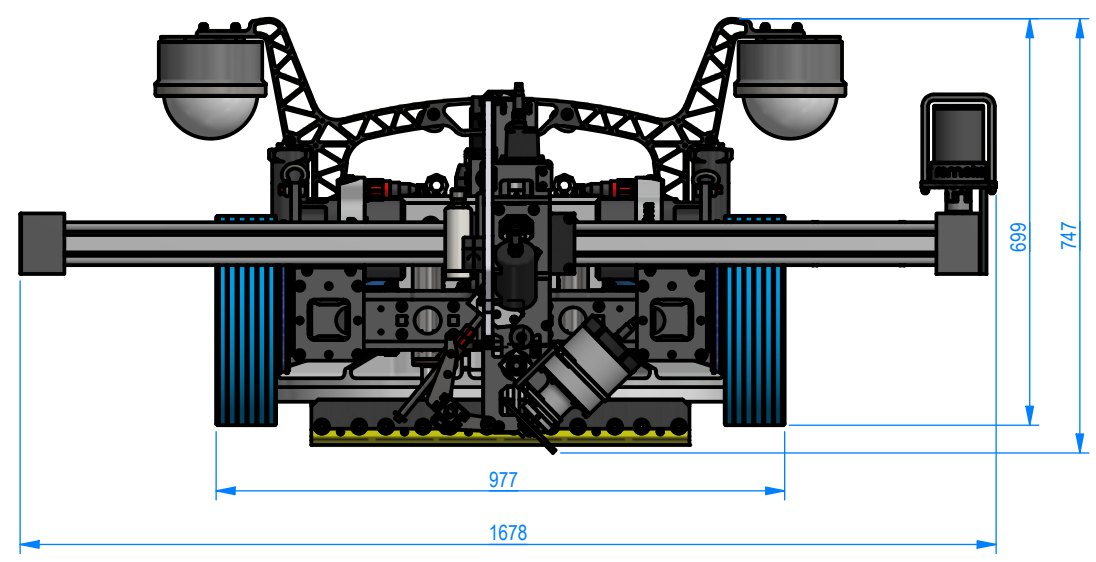
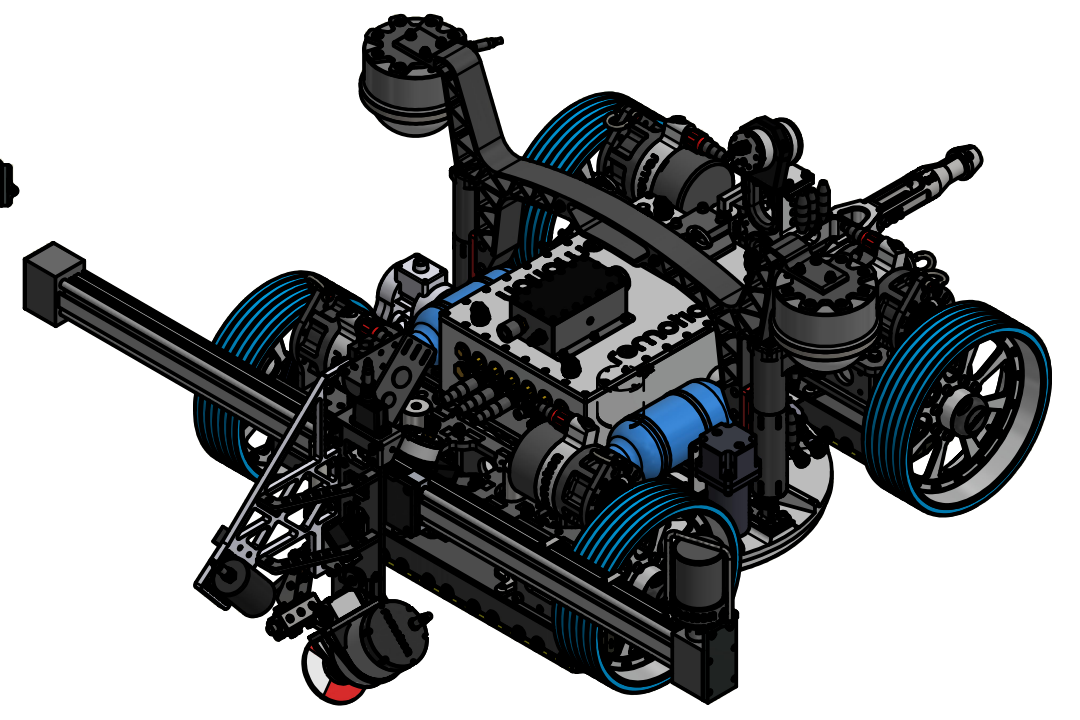
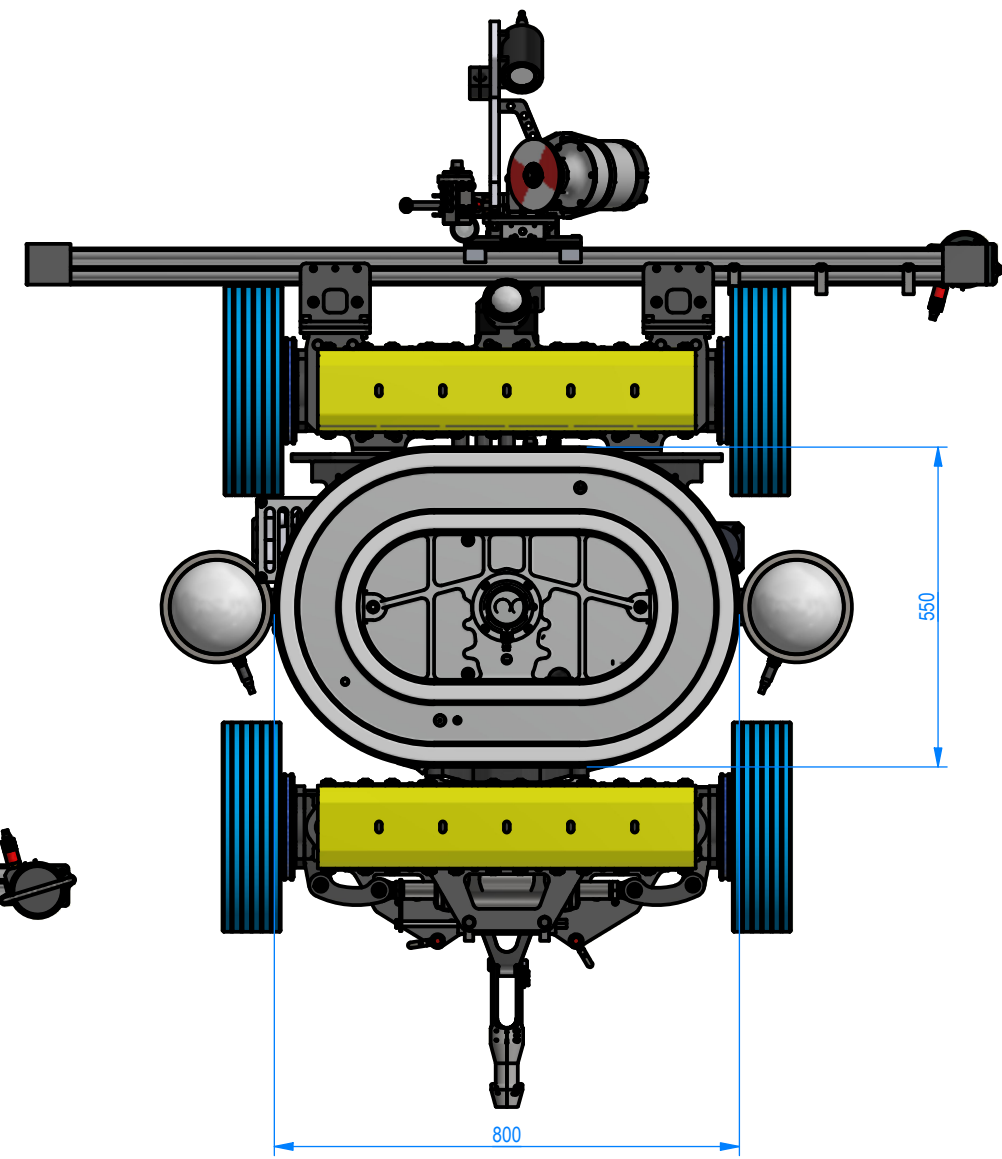
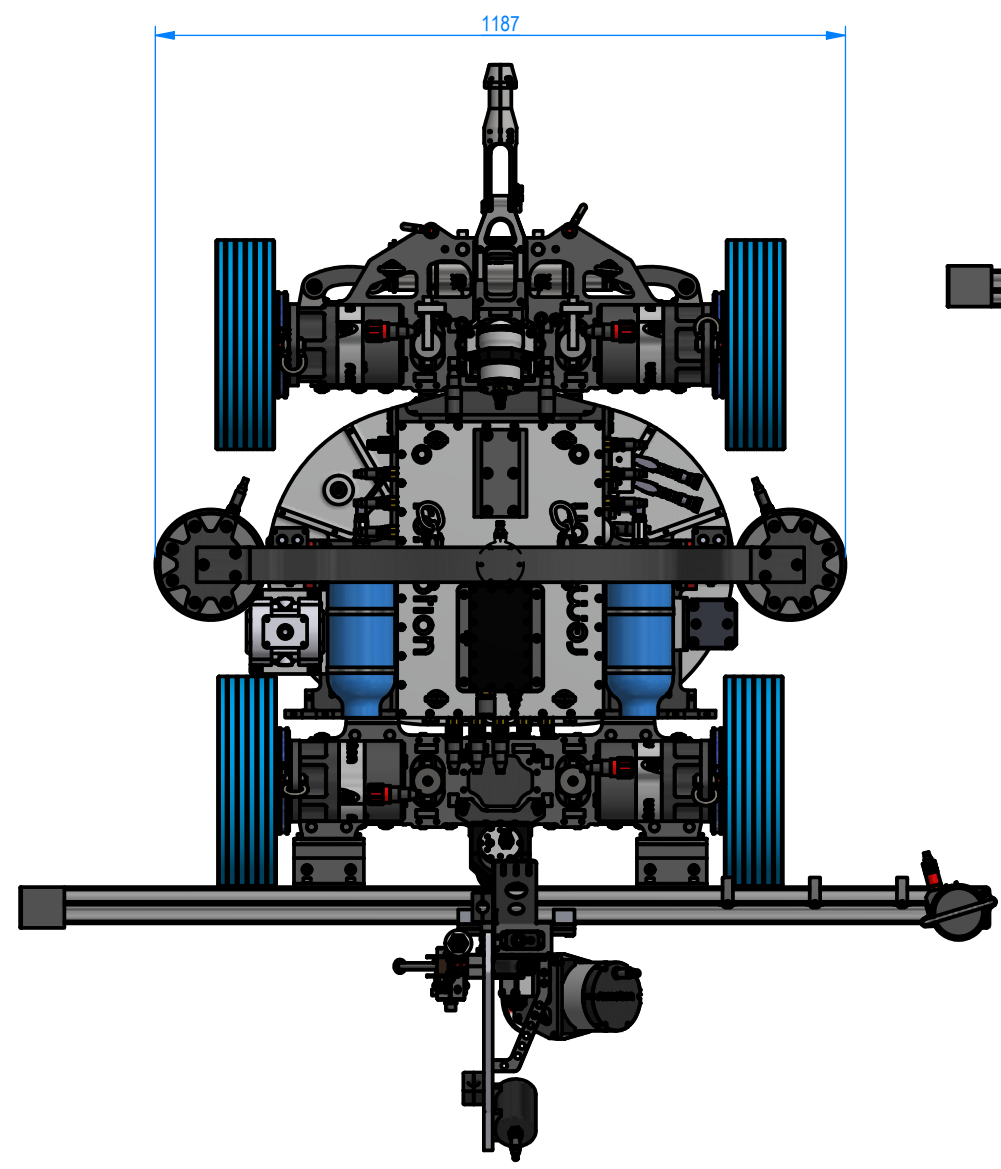


|                                       |   |  |
|---------------------------------------|---|--|
| Gen. Tolerance<br>NS-ISO 2768 U.O.S.: | Gen. Welding Tolerance<br>NS-EN ISO 13920 U.O.S.: | Gen. Machined Surface<br>Roughness U.O.S.: |
|---------------------------------------|---|--|

VIEW A



|                      |                                     |  |                     |
|----------------------|-------------------------------------|--|---------------------|
| <b>remotion</b>      |                                     | Client   |                     |
| Projection           |                                     | This drawing must not be copied or the contents thereof imparted to a third party without Remotion AS' s written permission. |                     |
| System               | Achilles                            |  |                     |
| Project              | Achilles                            |  |                     |
| Description          | Achilles with Cleaning Tool-Habitat |  |                     |
| Material             |                                     | Weight   | 320kg               |
| Client Drawing No.   |                                     | Project No.  |                     |
| Remotion Drawing No. | Achilles with Cleaning Tool-Habitat |  | Sheet 1 / 1 Rev. 01 |